

Sanitana

CARACTERÍSTICAS DO MODELO:

MATERIAL: Chapa Acrílica s/norma EN263 (NF)

ESPECIFICAÇÕES:

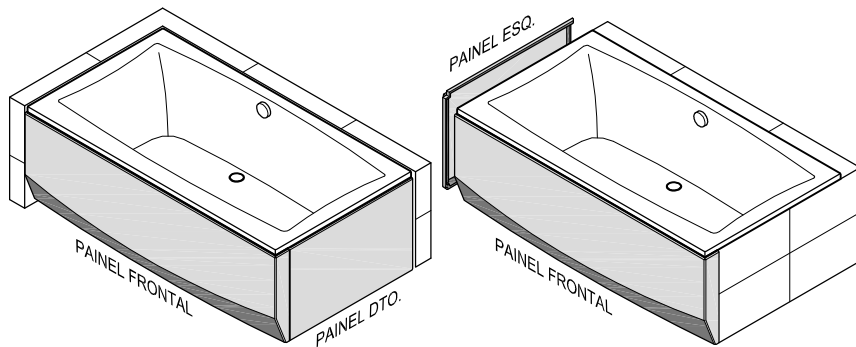
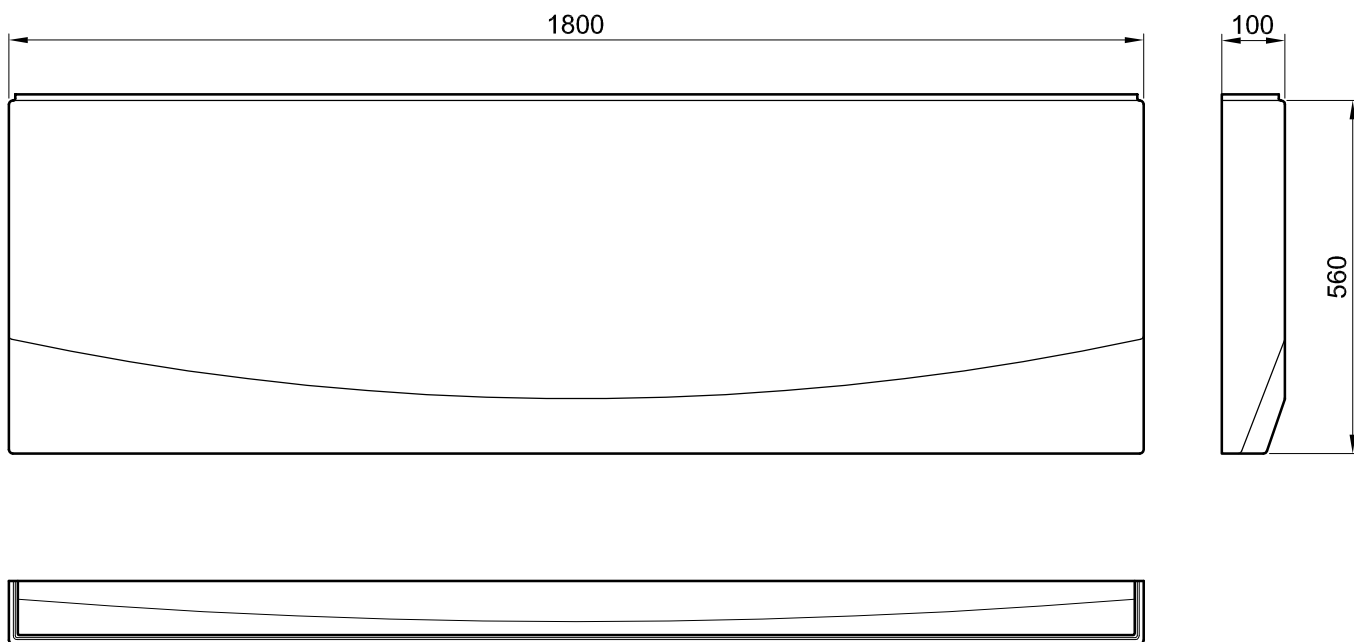
- Leve e fácil de manusear
- Sistema de montagem com kit de fixação (incluído)

CORES DISPONÍVEIS: Branco

PESO : 6 Kg

PEÇA:

- DESCRIÇÃO: PAINEL ACRÍLICO
- SERIE: Banheira retangular QUATTRO
- VERSÃO: FRONTAL
- REF: B18056Q10CX

Ficha Técnica**PRODUTOS ASSOCIADOS:**

KIT FIXAÇÃO

26197



MODEL FEATURES:

MATERIAL: Cross linked cast acrylic sheet acc/standard EN263 (NF)

SPECIFICATIONS:

- Lightweight and easy to handle
- Mounting system with mounting kit (included)

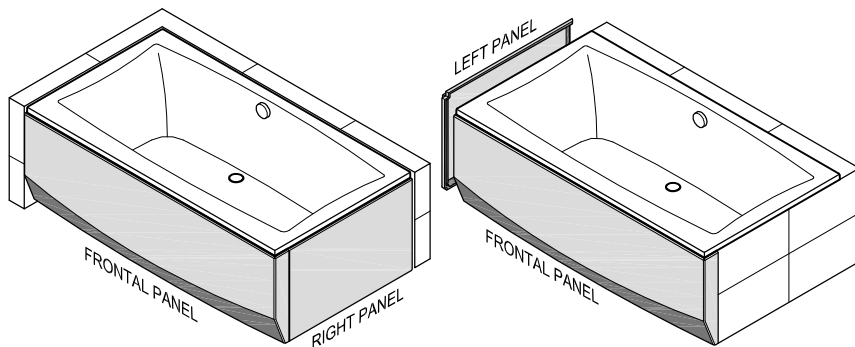
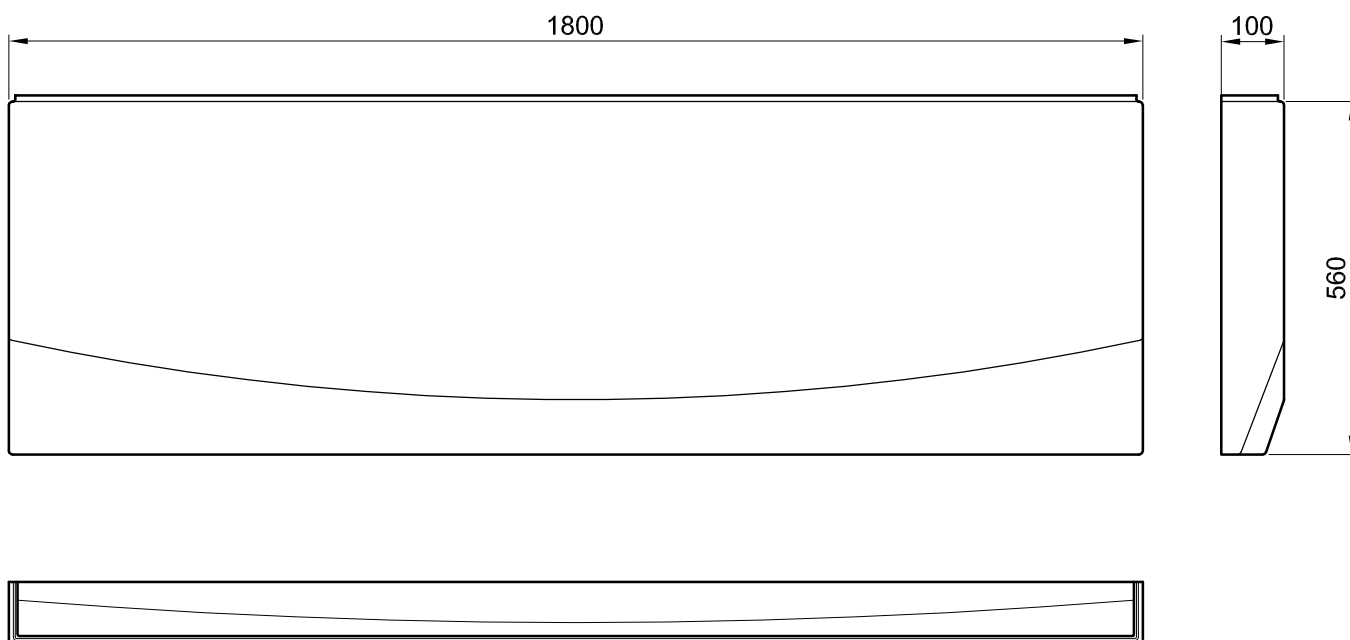
AVAILABLE COLORS: White

WEIGHT: 6 Kg

PART:

- DESCRIPTION: ACRYLIC PANEL
- SERIES: Rectangular bathtub QUATTRO
- VERSION: FRONTAL
- REF: B18056Q10CX

Technical Sheet



RELATED PRODUCTS:

FIXING KIT
26197

The products presented follow technical specifications by Sanitana S.A. Dimensions provided are indicative only. For custom installation, should only be considered the dimensions measured directly on the part to be installed. We reserve the right to make technical changes to improve the functionality of our products without prior notice.