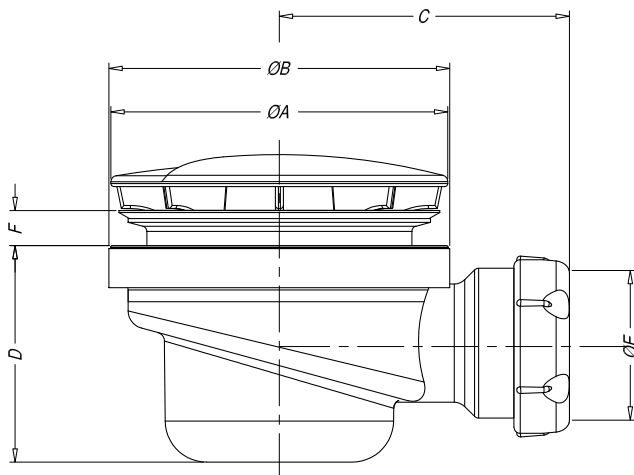


S-374 - Non siphon - Shower tray waste outlet



Code	Dimensions	Charac.	u./box
13308I	1½x 70	Chrome	20
13318I	1½x 85	Chrome	20
13518I	1½ x115	Chrome	20
13848I	1½x 70	White	20
13858I	1½x 85	White	20
13868I	1½ x115	White	20



Dimensions

Code	A Ø	B Ø	C	D	E Ø	F min-max
13308I	73.8	115	93	80	1 1/2"X40	6-25
13318I	84	115	93	80	1 1/2"X40	6-25
13518I	112.5	115	93	80	1 1/2"X40	6-25
13848I	73.8	115	93	80	1 1/2"X40	6-25
13858I	84	115	93	80	1 1/2"X40	6-25
13868I	112.5	115	93	80	1 1/2"X40	6-25

Documentation



Manuals



Price lists



Certificates



For additional info, please visit <https://www.jimten.com/en/producto/7455/non-siphon---shower-tray-waste-outlet/>

