

BRAÇADEIRAS ROSCADAS

GENERALIDADES

As braçadeiras roscadas PLIMAT principalmente utilizadas no abastecimento de água e em rega têm vindo a ser aplicadas desde há vários anos com resultados verdadeiramente positivos.

De entre as principais vantagens que apresentam, salientamos uma boa resistência aliada a uma grande durabilidade.

MATERIAIS

Corpo	: PP polipropileno copolimero
Anilha de reforço	: Aço inox
Parafusos	: Aço metalizado / Aço inox A2 (304)
Vedantes	: Borracha nitrilica

NORMALIZAÇÃO

As braçadeiras roscadas PLIMAT em PP respeitam rigorosamente as normas ISO 7/1; NP-45 e EN 10226-1 para as roscas, no que se refere aos diâmetros respeitam as dimensões standardizadas da tubagem vulgarmente utilizada.

MONTAGEM

As braçadeiras roscadas PLIMAT estão previstas para serem montadas, por aperto lateral com parafusos, em tubos standard fabricados em PEBD, PEAD, PP ou PVC. No que respeita às saídas de derivação a montagem deverá ser feita por roscagem conforme recomendações ISO 7/1.

PRESSÃO DE SERVIÇO

De acordo com o quadro respectivo e com base em ensaios feitos em tubos de PVC.

INTERPRETAÇÃO DAS ABREVIATURAS

d	- Diâmetro nominal
G	- Diâmetro nominal da rosca
Quant	- Quantidade de peças que contem cada caixa
Gr	- Peso aproximado da peça em gramas
B	- Caixa 29 x 23 x 16.5
C	- Caixa 39 x 29 x 31
★	- Produtos não fabricados pela Plimat, S.A.

Braçadeira roscada c/reforço

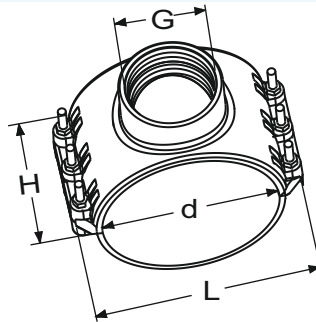
Clamp saddle with reinforce

Collier de prise en charge avec renfor

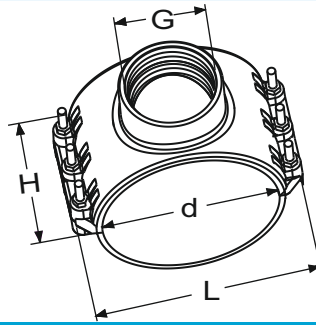
Collarine de toma con refuerzo

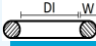


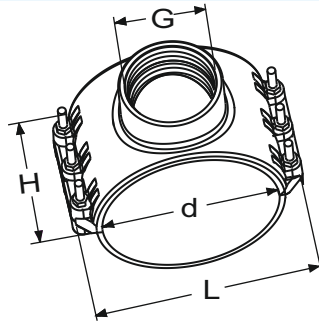
02 15 2000 000

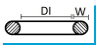


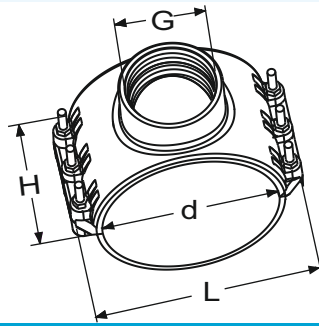
d	G	L	H	DI x W	Paraf	PN/Bar	Gr	Quant	Nº Código
16	" 1/2	61	36	13,11x2,62	2 (M6x40)	10	61	B 70	02 15 2000 092
20	" 1/2	61	36	13,11x2,62	2 (M6x40)	10	61	C 200	02 15 2000 001
20	" 3/4	65	40	13,11x2,62	2 (M6x40)	10	72	C 200	02 15 2000 094
20	1 "	76	45	13,11x2,62	2 (M6x40)	10	85	C 200	02 15 2000 095
25	" 1/2	61	36	13,87x3,53	2 (M6x40)	10	62	C 200	02 15 2000 003
25	" 3/4	61	36	13,87x3,53	2 (M6x40)	10	70	C 180	02 15 2000 004
25	1 "	76	45	13,87x3,53	2 (M6x40)	10	84	C 150	02 15 2000 097
32	" 1/2	76	45	18,64x3,53	2 (M8x60)	10	130	C 100	02 15 2000 005
32	" 3/4	76	45	18,64x3,53	2 (M8x60)	10	125	C 100	02 15 2000 006
32	1 "	76	45	18,64x3,53	2 (M8x60)	10	146	C 100	02 15 2000 007
40	" 1/2	76	55	18,64x3,53	2 (M8x60)	10	134	C 100	02 15 2000 008
40	" 3/4	76	55	18,64x3,53	2 (M8x60)	10	143	C 100	02 15 2000 009
40	1 "	76	55	18,64x3,53	2 (M8x60)	10	140	C 90	02 15 2000 010



d	G	L	H	 DI x W	Paraf	PN/Bar	Gr	Quant	Nº Código
50	" 1/2	83	60	28,17x3,53	2 (M8x60)	10	150	C 80	02 15 2000 011
50	" 3/4	83	60	28,17x3,53	2 (M8x60)	10	158	C 80	02 15 2000 012
50	1 "	83	60	28,17x3,53	2 (M8x60)	10	160	C 70	02 15 2000 013
63	" 1/2	102	69	28,17x3,53	4 (M8x60)	10	255	C 50	02 15 2000 014
63	" 3/4	102	69	28,17x3,53	4 (M8x60)	10	257	C 50	02 15 2000 015
63	1 "	102	69	34,52x3,53	4 (M8x60)	10	273	C 50	02 15 2000 016
63	1" 1/4	102	69	40,87x3,53	4 (M8x60)	10	277	C 50	02 15 2000 017
63	1" 1/2	102	69	53,90x3,53	4 (M8x60)	10	299	C 45	02 15 2000 018
75	" 1/2	120	95	53,90x3,53	4 (M8x60)	10	355	C 30	02 15 2000 019
75	" 3/4	120	95	53,90x3,53	4 (M8x60)	10	358	C 30	02 15 2000 020
75	1 "	120	95	53,90x3,53	4 (M8x60)	10	368	C 30	02 15 2000 021
75	1" 1/4	120	95	53,90x3,53	4 (M8x60)	10	376	C 30	02 15 2000 022
75	1" 1/2	120	95	53,90x3,53	4 (M8x60)	10	381	C 30	02 15 2000 023
75	2"	120	95	53,90x3,53	4 (M8x60)	10	387	C 30	02 15 2000 089
90	" 1/2	132	115	53,90x3,53	6 (M8x60)	10	498	C 20	02 15 2000 024
90	" 3/4	132	115	53,90x3,53	6 (M8x60)	10	502	C 20	02 15 2000 025
90	1 "	132	115	53,90x3,53	6 (M8x60)	10	514	C 20	02 15 2000 026
90	1" 1/4	132	115	53,90x3,53	6 (M8x60)	10	523	C 20	02 15 2000 027
90	1" 1/2	132	115	53,90x3,53	6 (M8x60)	10	530	C 20	02 15 2000 028
90	2"	132	115	53,90x3,53	6 (M8x60)	10	542	C 16	02 15 2000 090



d	G	L	H	 DI x W	Paraf	PN/Bar	Gr	Quant	Nº Código
110	" 1/2	153	129	65,09x3,53	6 (M8x60)	10	622	C 12	02 15 2000 029
110	" 3/4	153	129	65,09x3,53	6 (M8x60)	10	628	C 12	02 15 2000 030
110	1 "	153	129	65,09x3,53	6 (M8x60)	10	628	C 12	02 15 2000 031
110	1" 1/4	153	129	65,09x3,53	6 (M8x60)	10	628	C 12	02 15 2000 032
110	1" 1/2	153	129	65,09x3,53	6 (M8x60)	10	648	C 12	02 15 2000 033
110	2 "	153	129	65,09x3,53	6 (M8x60)	10	648	C 12	02 15 2000 034
125	1"	176	130	63,09x3,53	6 (M8x60)	10	675	C 12	02 15 2000 036
125	1 "1/4	176	130	63,09x3,53	6 (M8x60)	10	680	C 12	02 15 2000 037
125	1 "1/2	176	130	63,09x3,53	6 (M8x60)	10	689	C 12	02 15 2000 038
125	2 "	176	130	63,09x3,53	6 (M8x60)	10	685	C 12	02 15 2000 039
140	1 "	192	135	53,90x3,53	6 (M8x60)	10	800	C 10	02 15 2000 041
140	1" 1/4	192	135	53,90x3,53	6 (M8x60)	10	803	C 10	02 15 2000 042
140	1" 1/2	192	135	53,90x3,53	6 (M8x60)	10	803	C 10	02 15 2000 043
140	2 "	192	135	53,90x3,53	6 (M8x60)	10	825	C 10	02 15 2000 044
140	2" 1/2	192	135	71,44x3,53	6 (M8x60)	6	830	C 8	02 15 2000 045
140	3 "	192	135	71,44x3,53	6 (M8x60)	6	837	C 8	02 15 2000 046
160	1 "	212	135	53,90x3,53	6 (M8x60)	10	874	C 8	02 15 2000 048
160	1" 1/4	212	135	53,90x3,53	6 (M8x60)	10	878	C 8	02 15 2000 049
160	1" 1/2	212	135	53,90x3,53	6 (M8x60)	10	881	C 8	02 15 2000 050
160	2 "	212	135	53,90x3,53	6 (M8x60)	10	891	C 8	02 15 2000 051
160	3 "	212	135	71,44x3,53	6 (M8x60)	6	925	C 8	02 15 2000 053



d	G	L	H	DI x W	Paraf	PN/Bar	Gr	Quant	Nº Código
200	1 "	252	140	53,90x3,53	6 (M8x60)	10	1010	C 6	02 15 2000 055
200	1" 1/4	252	140	53,90x3,53	6 (M8x60)	10	1040	C 6	02 15 2000 056
200	1" 1/2	252	140	53,90x3,53	6 (M8x60)	10	1046	C 6	02 15 2000 057
200	2 "	252	140	53,90x3,53	6 (M8x60)	10	1063	C 6	02 15 2000 058
200	3 "	252	140	71,44x3,53	6 (M8x60)	6	1110	C 4	02 15 2000 060
225	1" 1/4	294	170	56,00x6,00	6 (M10x80)	6	1760	C 3	02 15 2000 062
225	1" 1/2	294	170	56,00x6,00	6 (M10x80)	6	1760	C 3	02 15 2000 063
225	2 "	294	170	64,00x6,00	6 (M10x80)	6	1780	C 3	02 15 2000 064
225	2" 1/2	294	170	70,00x6,00	6 (M10x80)	4	1790	C 3	02 15 2000 065
225	3 "	294	170	116,84x6,99	6 (M10x80)	4	1750	C 3	02 15 2000 066
225	4 "	294	170	116,84x6,99	6 (M10x80)	4	1830	C 3	02 15 2000 067
250	1" 1/4	320	180	56,00x6,00	6 (M10x80)	6	2090	C 2	02 15 2000 070
250	1" 1/2	320	180	56,00x6,00	6 (M10x80)	6	2090	C 2	02 15 2000 071
250	2 "	320	180	64,00x6,00	6 (M10x80)	6	2110	C 2	02 15 2000 072
250	2" 1/2	320	180	70,00x6,00	6 (M10x80)	4	2110	C 2	02 15 2000 073
250	3 "	320	180	116,84x6,99	6 (M10x80)	4	2130	C 2	02 15 2000 074
250	4 "	320	180	116,84x6,99	6 (M10x80)	4	2220	C 2	02 15 2000 075
315	1" 1/4	390	200	56,00x6,00	6 (M10x80)	6	2810	C 1	02 15 2000 080
315	1" 1/2	390	200	56,00x6,00	6 (M10x80)	6	2820	C 1	02 15 2000 081
315	2 "	390	200	64,00x6,00	6 (M10x80)	6	2830	C 1	02 15 2000 082
315	2" 1/2	390	200	70,00x6,00	6 (M10x80)	4	2840	C 1	02 15 2000 083
315	3 "	390	200	116,84x6,99	6 (M10x80)	4	2850	C 1	02 15 2000 084
315	4 "	390	200	116,84x6,99	6 (M10x80)	4	2880	C 1	02 15 2000 085

Braçadeira roscada s/ reforço

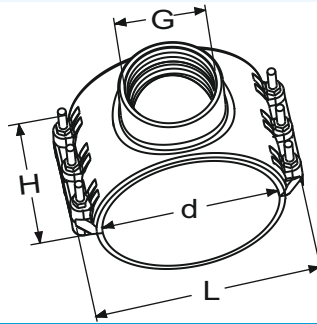
Clamp saddle without reinforce

Collier de prise en charge sans renfor

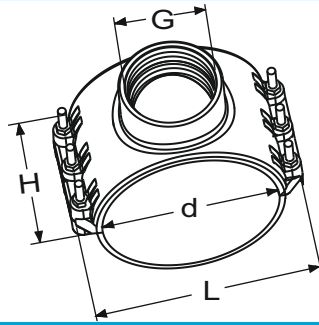
Collarine de toma sin refuerzo

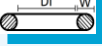


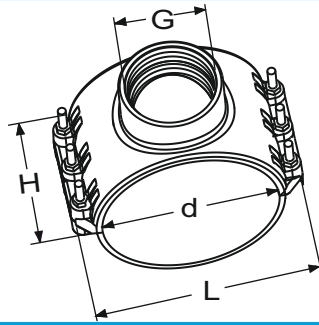
02 15 2001 000



d	G	L	H	 DI x W	Paraf	PN/Bar	Gr	Quant	Nº Código
16	" 3/8	61	36	13,11x2,62	2 (M6x40)	10	56	B 70	02 15 2001 091
16	" 1/2	61	36	13,11x2,62	2 (M6x40)	10	56	B 70	02 15 2001 092
20	" 3/8	61	36	13,11x2,62	2 (M6x40)	10	65	C 200	02 15 2001 093
20	" 1/2	61	36	13,11x2,62	2 (M6x40)	10	56	C 200	02 15 2001 001
20	" 3/4	65	40	13,11x2,62	2 (M6x40)	10	65	C 200	02 15 2001 094
20	1 "	76	45	13,11x2,62	2 (M6x40)	10	76	C 200	02 15 2001 095
25	" 3/8	61	36	13,87x3,53	2 (M6x40)	10	55	C 200	02 15 2001 096
25	" 1/2	61	36	13,87x3,53	2 (M6x40)	10	55	C 200	02 15 2001 003
25	" 3/4	61	36	13,87x3,53	2 (M6x40)	10	63	C 180	02 15 2001 004
25	1 "	76	45	13,87x3,53	2 (M6x40)	10	75	C 150	02 15 2001 097
32	" 1/2	76	45	18,64x3,53	2 (M8x60)	10	123	C 100	02 15 2001 005
32	" 3/4	76	45	18,64x3,53	2 (M8x60)	10	120	C 100	02 15 2001 006
32	1 "	76	45	18,64x3,53	2 (M8x60)	10	139	C 100	02 15 2001 007
40	" 1/2	76	55	18,64x3,53	2 (M8x60)	10	127	C 100	02 15 2001 008
40	" 3/4	76	55	18,64x3,53	2 (M8x60)	10	136	C 100	02 15 2001 009
40	1 "	76	55	18,64x3,53	2 (M8x60)	10	130	C 90	02 15 2001 010



d	G	L	H	 DI x W	Paraf	PN/Bar	Gr	Quant	Nº Código
50	" 1/2	83	60	28,17x3,53	2 (M8x60)	10	143	C 80	02 15 2001 011
50	" 3/4	83	60	28,17x3,53	2 (M8x60)	10	151	C 80	02 15 2001 012
50	1 "	83	60	28,17x3,53	2 (M8x60)	10	150	C 70	02 15 2001 013
63	" 1/2	102	69	28,17x3,53	4 (M8x60)	10	250	C 50	02 15 2001 014
63	" 3/4	102	69	28,17x3,53	4 (M8x60)	10	250	C 50	02 15 2001 015
63	1 "	102	69	34,52x3,53	4 (M8x60)	10	263	C 50	02 15 2001 016
63	1" 1/4	102	69	40,87x3,53	4 (M8x60)	10	267	C 50	02 15 2001 017
63	1" 1/2	102	69	53,90x3,53	4 (M8x60)	10	290	C 45	02 15 2001 018
75	" 1/2	120	95	53,90x3,53	4 (M8x60)	10	348	C 30	02 15 2001 019
75	" 3/4	120	95	53,90x3,53	4 (M8x60)	10	350	C 30	02 15 2001 020
75	1 "	120	95	53,90x3,53	4 (M8x60)	10	358	C 30	02 15 2001 021
75	1" 1/4	120	95	53,90x3,53	4 (M8x60)	10	368	C 30	02 15 2001 022
75	1" 1/2	120	95	53,90x3,53	4 (M8x60)	10	371	C 30	02 15 2001 023
75	2"	120	95	53,90x3,53	4 (M8x60)	10	372	C 30	02 15 2001 089
90	" 1/2	132	115	53,90x3,53	6 (M8x60)	10	490	C 20	02 15 2001 024
90	" 3/4	132	115	53,90x3,53	6 (M8x60)	10	495	C 20	02 15 2001 025
90	1 "	132	115	53,90x3,53	6 (M8x60)	10	504	C 20	02 15 2001 026
90	1" 1/4	132	115	53,90x3,53	6 (M8x60)	10	513	C 20	02 15 2001 027
90	1" 1/2	132	115	53,9x3,53	6 (M8x60)	10	520	C 20	02 15 2001 028
90	2"	132	115	53,90x3,53	6 (M8x60)	10	520	C 16	02 15 2001 090



d	G	L	H	DI x W	Paraf	PN/Bar	Gr	Quant	Nº Código
110	" 1/2	153	129	65,09x3,53	6 (M8x60)	10	612	C 12	02 15 2001 029
110	" 3/4	153	129	65,09x3,53	6 (M8x60)	10	618	C 12	02 15 2001 030
110	1 "	153	129	65,09x3,53	6 (M8x60)	10	618	C 12	02 15 2001 031
110	1" 1/4	153	129	65,09x3,53	6 (M8x60)	10	620	C 12	02 15 2001 032
110	1" 1/2	153	129	65,09x3,53	6 (M8x60)	10	638	C 12	02 15 2001 033
110	2 "	153	129	65,09x3,53	6 (M8x60)	10	638	C 12	02 15 2001 034
125	1"	176	130	63,09x3,53	6 (M8x60)	10	665	C 12	02 15 2001 036
125	1"1/4	176	130	63,09x3,53	6 (M8x60)	10	680	C 12	02 15 2001 037
125	1"1/2	176	130	63,09x3,53	6 (M8x60)	10	680	C 12	02 15 2001 038
125	2 "	176	130	63,09x3,53	6 (M8x60)	10	680	C 12	02 15 2001 039

Braçadeira roscada c/ reforço - parafusos aço inox A2

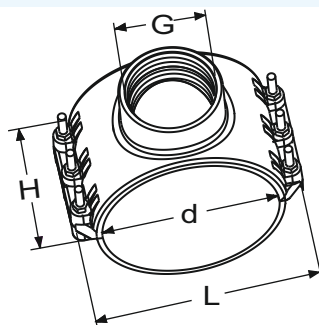
Clamp saddle with reinforce - screwnuts stainless steel A2


Collier de prise en charge avec renfor- visses acier inoxydable A2

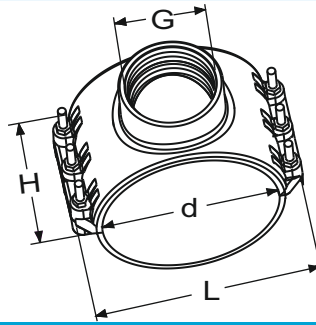
Collarine de toma con refuerzo - tornillos acero inoxidable A2



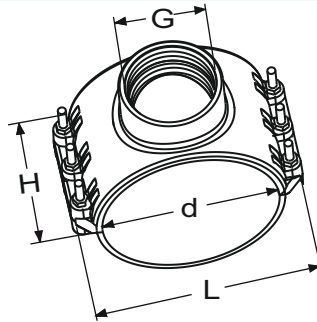
02 18 2000 000



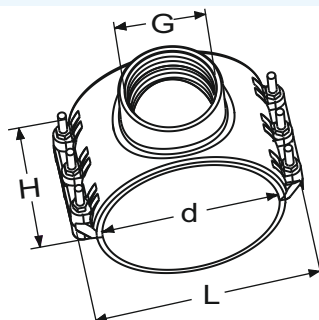
d	G	L	H	 DI x W	Paraf	PN/Bar	Gr	Quant	Nº Código
16	" 1/2	61	36	13,11x2,62	2 (M6x40)	10	61	B 70	02 18 2000 092
20	" 1/2	61	36	13,11x2,62	2 (M6x40)	10	61	C 200	02 18 2000 001
20	" 3/4	65	40	13,11x2,62	2 (M6x40)	10	72	C 200	02 18 2000 094
20	1 "	76	45	13,11x2,62	2 (M6x40)	10	85	C 200	02 18 2000 095
25	" 1/2	61	36	13,87x3,53	2 (M6x40)	10	62	C 200	02 18 2000 003
25	" 3/4	61	36	13,87x3,53	2 (M6x40)	10	70	C 180	02 18 2000 004
25	1 "	76	45	13,87x3,53	2 (M6x40)	10	84	C 150	02 18 2000 097
32	" 1/2	76	45	18,64x3,53	2 (M8x60)	10	130	C 100	02 18 2000 005
32	" 3/4	76	45	18,64x3,53	2 (M8x60)	10	125	C 100	02 18 2000 006
32	1 "	76	45	18,64x3,53	2 (M8x60)	10	146	C 100	02 18 2000 007
40	" 1/2	76	55	18,64x3,53	2 (M8x60)	10	134	C 100	02 18 2000 008
40	" 3/4	76	55	18,64x3,53	2 (M8x60)	10	143	C 100	02 18 2000 009
40	1 "	76	55	18,64x3,53	2 (M8x60)	10	140	C 90	02 18 2000 010



d	G	L	H	DI x W	Paraf	PN/Bar	Gr	Quant	Nº Código
50	" 1/2	83	60	28,17x3,53	2 (M8x60)	10	150	C 80	02 18 2000 011
50	" 3/4	83	60	28,17x3,53	2 (M8x60)	10	158	C 80	02 18 2000 012
50	1 "	83	60	28,17x3,53	2 (M8x60)	10	160	C 70	02 18 2000 013
63	" 1/2	102	69	28,17x3,53	4 (M8x60)	10	255	C 50	02 18 2000 014
63	" 3/4	102	69	28,17x3,53	4 (M8x60)	10	257	C 50	02 18 2000 015
63	1 "	102	69	34,52x3,53	4 (M8x60)	10	273	C 50	02 18 2000 016
63	1" 1/4	102	69	40,87x3,53	4 (M8x60)	10	277	C 50	02 18 2000 017
63	1" 1/2	102	69	53,90x3,53	4 (M8x60)	10	299	C 45	02 18 2000 018
75	" 1/2	120	95	53,90x3,53	4 (M8x60)	10	355	C 30	02 18 2000 019
75	" 3/4	120	95	53,90x3,53	4 (M8x60)	10	358	C 30	02 18 2000 020
75	1 "	120	95	53,90x3,53	4 (M8x60)	10	368	C 30	02 18 2000 021
75	1" 1/4	120	95	53,90x3,53	4 (M8x60)	10	376	C 30	02 18 2000 022
75	1" 1/2	120	95	53,90x3,53	4 (M8x60)	10	381	C 30	02 18 2000 023
75	2"	120	95	53,90x3,53	4 (M8x60)	10	387	C 30	02 18 2000 089
90	" 1/2	132	115	53,90x3,53	6 (M8x60)	10	498	C 20	02 18 2000 024
90	" 3/4	132	115	53,90x3,53	6 (M8x60)	10	502	C 20	02 18 2000 025
90	1 "	132	115	53,90x3,53	6 (M8x60)	10	514	C 20	02 18 2000 026
90	1" 1/4	132	115	53,90x3,53	6 (M8x60)	10	523	C 20	02 18 2000 027
90	1" 1/2	132	115	53,90x3,53	6 (M8x60)	10	530	C 20	02 18 2000 028
90	2"	132	115	53,90x3,53	6 (M8x60)	10	542	C 16	02 18 2000 090



d	G	L	H	DI x W	Paraf	PN/Bar	Gr	Quant	Nº Código
110	" 1/2	153	129	65,09x3,53	6 (M8x60)	10	622	C 12	02 18 2000 029
110	" 3/4	153	129	65,09x3,53	6 (M8x60)	10	628	C 12	02 18 2000 030
110	1 "	153	129	65,09x3,53	6 (M8x60)	10	628	C 12	02 18 2000 031
110	1" 1/4	153	129	65,09x3,53	6 (M8x60)	10	628	C 12	02 18 2000 032
110	1" 1/2	153	129	65,09x3,53	6 (M8x60)	10	648	C 12	02 18 2000 033
110	2 "	153	129	65,09x3,53	6 (M8x60)	10	648	C 12	02 18 2000 034
125	1"	176	130	63,09x3,53	6 (M8x60)	10	675	C 12	02 18 2000 036
125	1" 1/4	176	130	63,09x3,53	6 (M8x60)	10	680	C 12	02 18 2000 037
125	1" 1/2	176	130	63,09x3,53	6 (M8x60)	10	689	C 12	02 18 2000 038
125	2 "	176	130	63,09x3,53	6 (M8x60)	10	685	C 12	02 18 2000 039
140	1 "	192	135	53,90x3,53	6 (M8x60)	10	800	C 10	02 18 2000 041
140	1" 1/4	192	135	53,90x3,53	6 (M8x60)	10	803	C 10	02 18 2000 042
140	1" 1/2	192	135	53,90x3,53	6 (M8x60)	10	803	C 10	02 18 2000 043
140	2 "	192	135	53,90x3,53	6 (M8x60)	10	825	C 10	02 18 2000 044
140	2" 1/2	192	135	71,44x3,53	6 (M8x60)	6	830	C 8	02 18 2000 045
140	3 "	192	135	71,44x3,53	6 (M8x60)	6	837	C 8	02 18 2000 046



d	G	L	H	DI x W	Paraf	PN/Bar	Gr	Quant	Nº Código
160	1 "	212	135	53,90x3,53	6 (M8x60)	10	874	C 8	02 18 2000 048
160	1" 1/4	212	135	53,90x3,53	6 (M8x60)	10	878	C 8	02 18 2000 049
160	1" 1/2	212	135	53,90x3,53	6 (M8x60)	10	881	C 8	02 18 2000 050
160	2 "	212	135	53,90x3,53	6 (M8x60)	10	891	C 8	02 18 2000 051
160	3 "	212	135	71,44x3,53	6 (M8x60)	6	925	C 8	02 18 2000 053
200	1 "	252	140	53,90x3,53	6 (M8x60)	10	1010	C 6	02 18 2000 055
200	1" 1/4	252	140	53,90x3,53	6 (M8x60)	10	1040	C 6	02 18 2000 056
200	1" 1/2	252	140	53,90x3,53	6 (M8x60)	10	1046	C 6	02 18 2000 057
200	2 "	252	140	53,90x3,53	6 (M8x60)	10	1063	C 6	02 18 2000 058
200	3 "	252	140	71,44x3,53	6 (M8x60)	6	1110	C 4	02 18 2000 060

Braçadeira roscada c/ reforço NPT

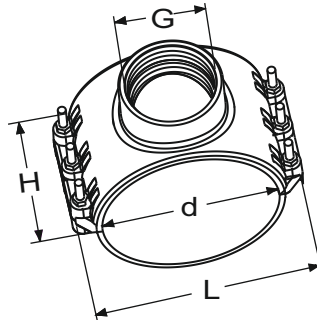
Clamp saddle with reinforce NPT

Collier de prise en charge avec renfor NPT

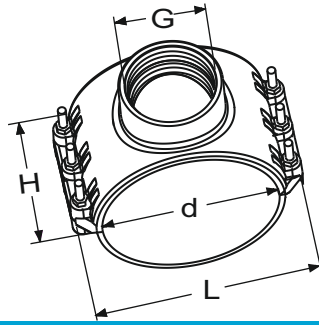
Collarino de toma con refuerzo NPT



02 15 2704 000

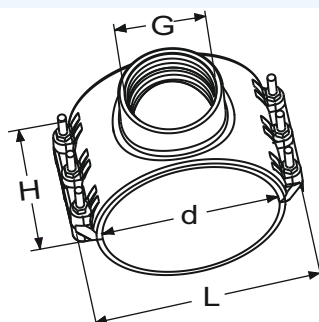


d	G	L	H	 DI x W	Paraf	PN/Bar	Gr	Quant	Nº Código
25	" 1/2	61	36	13,87x3,53	2 (M6x40)	10	62	C 200	02 15 2704 003
25	" 3/4	61	36	13,87x3,53	2 (M6x40)	10	70	C 180	02 15 2704 004
32	" 1/2	76	45	18,64x3,53	2 (M8x60)	10	130	C 100	02 15 2704 005
32	" 3/4	76	45	18,64x3,53	2 (M8x60)	10	137	C 100	02 15 2704 006
32	1 "	76	45	18,64x3,53	2 (M8x60)	10	146	C 100	02 15 2704 007
40	" 1/2	76	55	18,64x3,53	2 (M8x60)	10	134	C 100	02 15 2704 008
40	" 3/4	76	55	18,64x3,53	2 (M8x60)	10	143	C 100	02 15 2704 009
40	1 "	76	55	18,64x3,53	2 (M8x60)	10	130	C 90	02 15 2704 010
50	" 1/2	83	60	28,17x3,53	2 (M8x60)	10	150	C 80	02 15 2704 011
50	" 3/4	83	60	28,17x3,53	2 (M8x60)	10	158	C 80	02 15 2704 012
50	1 "	83	60	28,17x3,53	2 (M8x60)	10	166	C 70	02 15 2704 013
63	" 1/2	102	69	28,17x3,53	4 (M8x60)	10	255	C 50	02 15 2704 014
63	" 3/4	102	69	28,17x3,53	4 (M8x60)	10	257	C 50	02 15 2704 015
63	1 "	102	69	34,52x3,53	4 (M8x60)	10	273	C 50	02 15 2704 016
63	1" 1/4	102	69	40,87x3,53	4 (M8x60)	10	277	C 50	02 15 2704 017
63	1" 1/2	102	69	53,90x3,53	4 (M8x60)	10	299	C 45	02 15 2704 018



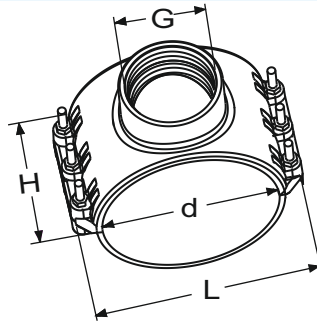
NPT

d	G	L	H		Paraf	PN/Bar	Gr	Quant	Nº Código	
				DI x W						
75	" 1/2	120	95	53,90x3,53	4 (M8x60)	10	355	C 30	02 15 2704 019	
75	" 3/4	120	95	53,90x3,53	4 (M8x60)	10	358	C 30	02 15 2704 020	
75	1 "	120	95	53,90x3,53	4 (M8x60)	10	368	C 30	02 15 2704 021	
75	1" 1/2	120	95	53,90x3,53	4 (M8x60)	10	381	C 30	02 15 2704 023	
90	" 1/2	132	115	53,90x3,53	6 (M8x60)	10	498	C 20	02 15 2704 024	
90	" 3/4	132	115	53,90x3,53	6 (M8x60)	10	502	C 20	02 15 2704 025	
90	1 "	132	115	53,90x3,53	6 (M8x60)	10	514	C 20	02 15 2704 026	
90	1" 1/4	132	115	53,90x3,53	6 (M8x60)	10	523	C 20	02 15 2704 027	
90	1" 1/2	132	115	53,90x3,53	6 (M8x60)	10	530	C 20	02 15 2704 028	
110	" 1/2	153	129	65,09x3,53	6 (M8x60)	10	622	C 12	02 15 2704 029	
110	" 3/4	153	129	65,09x3,53	6 (M8x60)	10	628	C 12	02 15 2704 030	
110	1 "	153	129	65,09x3,53	6 (M8x60)	10	628	C 12	02 15 2704 031	
110	1" 1/4	153	129	65,09x3,53	6 (M8x60)	10	628	C 12	02 15 2704 032	
110	1" 1/2	153	129	65,09x3,53	6 (M8x60)	10	648	C 12	02 15 2704 033	
110	2 "	153	129	65,09x3,53	6 (M8x60)	10	648	C 12	02 15 2704 034	
125	1 "	176	130	63,09x3,53	6 (M8x60)	10	675	C 12	02 15 2704 036	
125	1" 1/4	176	130	63,09x3,53	6 (M8x60)	10	680	C 12	02 15 2704 037	
125	1" 1/2	176	130	63,09x3,53	6 (M8x60)	10	689	C 12	02 15 2704 038	
125	2 "	176	130	63,09x3,53	6 (M8x60)	10	685	C 12	02 15 2704 039	



NPT

d	G	L	H	DI x W	Paraf	PN/Bar	Gr	Quant	Nº Código
140	1"	192	135	53,90x3,53	6 (M8x60)	10	800	C 10	02 15 2704 041
140	1" 1/4	192	135	53,90x3,53	6 (M8x60)	10	803	C 10	02 15 2704 042
140	1" 1/2	192	135	53,90x3,53	6 (M8x60)	10	803	C 10	02 15 2704 043
140	2"	192	135	53,90x3,53	6 (M8x60)	10	825	C 10	02 15 2704 044
140	2" 1/2	192	135	71,44x3,53	6 (M8x60)	6	830	C 8	02 15 2704 045
140	3"	192	135	71,44x3,53	6 (M8x60)	6	837	C 8	02 15 2704 046
160	1"	212	135	53,90x3,53	6 (M8x60)	10	874	C 8	02 15 2704 048
160	1" 1/4	212	135	53,90x3,53	6 (M8x60)	10	878	C 8	02 15 2704 049
160	1" 1/2	212	135	53,90x3,53	6 (M8x60)	10	881	C 8	02 15 2704 050
160	2"	212	135	53,90x3,53	6 (M8x60)	10	891	C 8	02 15 2704 051
160	3"	212	135	71,44x3,53	6 (M8x60)	6	925	C 8	02 15 2704 053
200	1"	252	140	53,90x3,53	6 (M8x60)	10	1010	C 6	02 15 2704 055
200	1" 1/2	252	140	53,90x3,53	6 (M8x60)	10	1046	C 6	02 15 2704 057
200	2"	252	140	53,90x3,53	6 (M8x60)	10	1063	C 6	02 15 2704 058
200	3"	252	140	71,44x3,53	6 (M8x60)	6	1110	C 4	02 15 2704 060
225	1" 1/4	294	170	56,00x3,53	6 (M10x80)	6	1760	C 3	02 15 2704 062
225	1" 1/2	294	170	56,00x3,53	6 (M10x80)	6	1760	C 3	02 15 2704 063
225	2"	294	170	64,00x6,00	6 (M10x80)	6	1780	C 3	02 15 2704 064
225	2" 1/2	294	170	70,00x6,00	6 (M10x80)	4	1790	C 3	02 15 2704 065
225	3"	294	170	116,84x6,99	6 (M10x80)	4	1750	C 3	02 15 2704 066
225	4"	294	170	116,84x6,99	6 (M10x80)	4	1830	C 3	02 15 2704 067



NPT

d	G	L	H	DI x W	Paraf	PN/Bar	Gr	Quant	Nº Código	
				DI x W						
250	1" 1/4	320	180	56,00x6,00	6 (M10x80)	6	2090	C 2	02 15 2704 070	
250	1" 1/2	320	180	56,00x6,00	6 (M10x80)	6	2090	C 2	02 15 2704 071	
250	2"	320	180	64,00x6,00	6 (M10x80)	6	2110	C 2	02 15 2704 072	
250	2" 1/2	320	180	70,00x6,00	6 (M10x80)	4	2110	C 2	02 15 2704 073	
250	3"	320	180	116,84x6,99	6 (M10x80)	4	2130	C 2	02 15 2704 074	
250	4"	320	180	116,84x6,99	6 (M10x80)	4	2220	C 2	02 15 2704 075	
315	1" 1/4	390	200	56,00x6,00	6 (M10x80)	6	2810	C 1	02 15 2704 080	
315	1" 1/2	390	200	56,00x6,00	6 (M10x80)	6	2820	C 1	02 15 2704 081	
315	2"	390	200	64,00x6,00	6 (M10x80)	6	2830	C 1	02 15 2704 082	
315	2" 1/2	390	200	70,00x6,00	6 (M10x80)	4	2840	C 1	02 15 2704 083	
315	3"	390	200	116,84x6,99	6 (M10x80)	4	2850	C 1	02 15 2704 084	
315	4"	390	200	116,84x6,99	6 (M10x80)	4	2880	C 1	02 15 2704 085	

Braçadeira roscada s/ reforço NPT

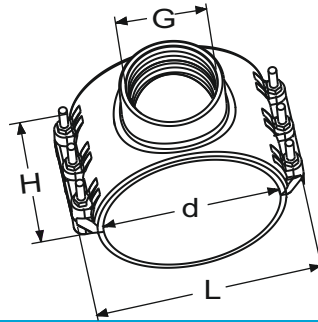
Clamp saddle without reinforce NPT

Collier de prise en charge sans renfor NPT

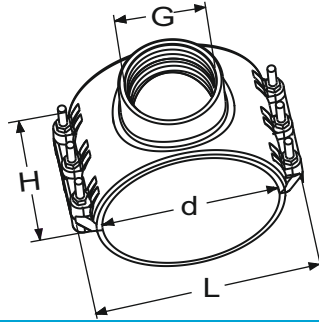
Collarino de toma sin refuerzo NPT



02 15 2705 000



d	G	L	H		Paraf	PN/Bar	Gr	Quant	Nº Código	
				DI x W						
25	" 1/2	61	36	13,87x3,53	2 (M6x40)	10	55	C 200	02 15 2705 003	
25	" 3/4	61	36	13,87x3,53	2 (M6x40)	10	63	C 180	02 15 2705 004	
32	" 1/2	76	45	18,64x3,53	2 (M8x60)	10	123	C 100	02 15 2705 005	
32	" 3/4	76	45	18,64x3,53	2 (M8x60)	10	130	C 100	02 15 2705 006	
32	1 "	76	45	18,64x3,53	2 (M8x60)	10	139	C 100	02 15 2705 007	
40	" 1/2	76	55	18,64x3,53	2 (M8x60)	10	127	C 100	02 15 2705 008	
40	" 3/4	76	55	18,64x3,53	2 (M8x60)	10	136	C 100	02 15 2705 009	
40	1 "	76	55	18,64x3,53	2 (M8x60)	10	120	C 90	02 15 2705 010	
50	" 1/2	83	60	28,17x3,53	2 (M8x60)	10	143	C 80	02 15 2705 011	
50	" 3/4	83	60	28,17x3,53	2 (M8x60)	10	151	C 80	02 15 2705 012	
50	1 "	83	60	28,17x3,53	2 (M8x60)	10	156	C 70	02 15 2705 013	
63	" 1/2	102	69	28,17x3,53	4 (M8x60)	10	250	C 50	02 15 2705 014	
63	" 3/4	102	69	28,17x3,53	4 (M8x60)	10	250	C 50	02 15 2705 015	
63	1 "	102	69	34,52x3,53	4 (M8x60)	10	263	C 50	02 15 2705 016	
63	1" 1/4	102	69	40,87x3,53	4 (M8x60)	10	267	C 50	02 15 2705 017	
63	1" 1/2	102	69	53,90x3,53	4 (M8x60)	10	290	C 45	02 15 2705 018	



NPT

d	G	L	H	 DI x W	Paraf	PN/Bar	Gr	Quant	Nº Código
75	" 1/2	120	95	53,90x3,53	4 (M8x60)	10	348	C 30	02 15 2705 019
75	" 3/4	120	95	53,90x3,53	4 (M8x60)	10	350	C 30	02 15 2705 020
75	1 "	120	95	53,90x3,53	4 (M8x60)	10	358	C 30	02 15 2705 021
75	1" 1/2	120	95	53,90x3,53	4 (M8x60)	10	371	C 30	02 15 2705 023
90	" 1/2	132	115	53,90x3,53	6 (M8x60)	10	490	C 20	02 15 2705 024
90	" 3/4	132	115	53,90x3,53	6 (M8x60)	10	495	C 20	02 15 2705 025
90	1 "	132	115	53,90x3,53	6 (M8x60)	10	504	C 20	02 15 2705 026
90	1" 1/4	132	115	53,90x3,53	6 (M8x60)	10	513	C 20	02 15 2705 027
90	1" 1/2	132	115	53,90x3,53	6 (M8x60)	10	520	C 20	02 15 2705 028
110	" 1/2	153	129	65,09x3,53	6 (M8x60)	10	612	C 12	02 15 2705 029
110	" 3/4	153	129	65,09x3,53	6 (M8x60)	10	618	C 12	02 15 2705 030
110	1 "	153	129	65,09x3,53	6 (M8x60)	10	618	C 12	02 15 2705 031
110	1" 1/4	153	129	65,09x3,53	6 (M8x60)	10	620	C 12	02 15 2705 032
110	1" 1/2	153	129	65,09x3,53	6 (M8x60)	10	638	C 12	02 15 2705 033
110	2 "	153	129	65,09x3,53	6 (M8x60)	10	638	C 12	02 15 2705 034
125	1 "	176	130	63,09x3,53	6 (M8x60)	10	665	C 12	02 15 2705 036
125	1" 1/4	176	130	63,09x3,53	6 (M8x60)	10	680	C 12	02 15 2705 037
125	1" 1/2	176	130	63,09x3,53	6 (M8x60)	10	680	C 12	02 15 2705 038
125	2 "	176	130	63,09x3,53	6 (M8x60)	10	680	C 12	02 15 2705 039

Vedante

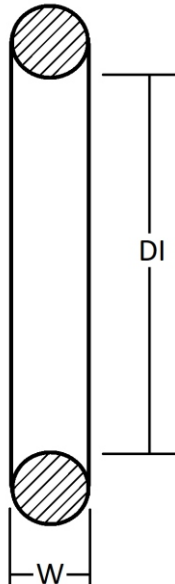
«O» ring gasket

Joint torique

Junta



* 40 90 8093 000



DI	W	Nº Código
13,11	2,62	40 90 8093 002
13,87	3,53	40 90 8093 006
18,64	3,53	40 90 8093 008
28,17	3,53	40 90 8093 014
34,52	3,53	40 90 8093 017
40,87	3,53	40 90 8093 054
53,90	3,53	40 90 8093 029
56,00	6,00	40 90 8093 112
63,09	3,53	40 90 8093 031
64,00	6,00	40 90 8093 113
65,09	3,53	40 90 8093 032
70,00	6,00	40 90 8093 114
71,44	3,53	40 90 8093 048
116,84	6,99	40 90 8093 070