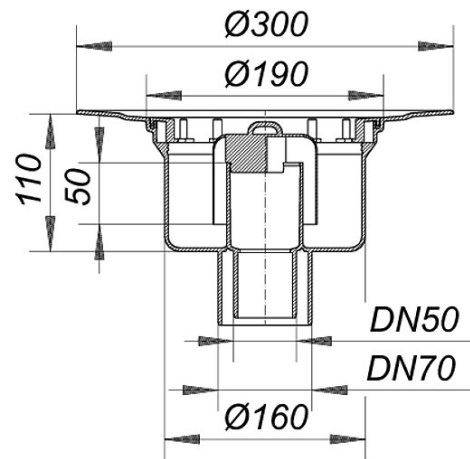


10. April 2012

## floor drain body type 61 HT, DN 50/ DN 70

Product Number: **611055**  
EAN: 4001636611055  
Discount group: 3



### Specification clause

conforming to DIN EN 1253.  
outlet: vertical spigot, for connection to plastic pipework  
with: removable bell trap  
temporary blanking plate  
material: polypropylene