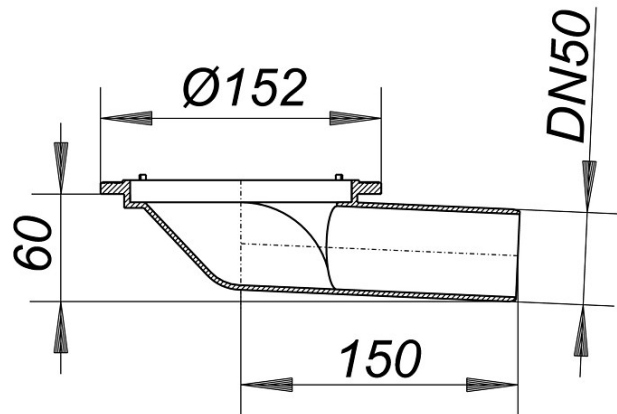


16. February 2017

balcony drain body type 83 KF, DN 50

Product Number: **830326**
EAN: 4001636830326
Discount group: 3



body without flange for use without a waterproofing membrane

specification:

- side outlet, 3 degrees
- temporary blanking plate

material:

polypropylene, UV-stabilized