

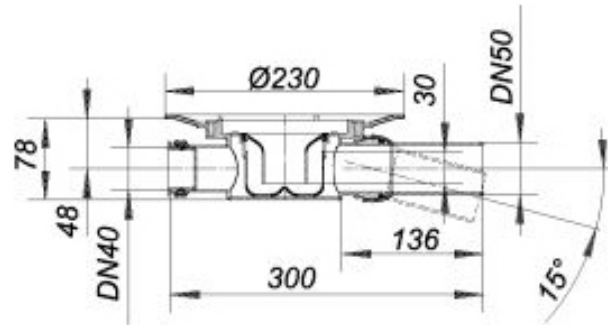
17. September 2012

floor drain body 42 S

Product Number: **420022**

EAN: 4001636420022

Discount group: 3



Specification clause

DALLMER floor drain body 42 S, DN 50
outlet: DN 50 horizontal with ball-joint,
adjustable 0-15°
with: side inlet DN 40
trap insert removable for cleaning
temporary blanking plate
material: polypropylene
Flow rate tested to DIN EN 1253
DN 50 0.62 l/s
recess size: 180 x 350 mm