

Technical files of the fittings

1. Manufacturing standard of fittings: ISO21003-3:2008

2. Type of material of fittings and the components:

Fitting Body: Hpb58-2

White Plastic Ring: PE

SS Sleeve: AISI304

O-ring: EPDM

3. Maximum working temperature: 95 °C

4. Minimum working temperature: -20 °C (the condition without freezing)

5. Nominal working pressure: 10bar

6. Maximum working pressure: 16bar

7. Type of thread of fittings:

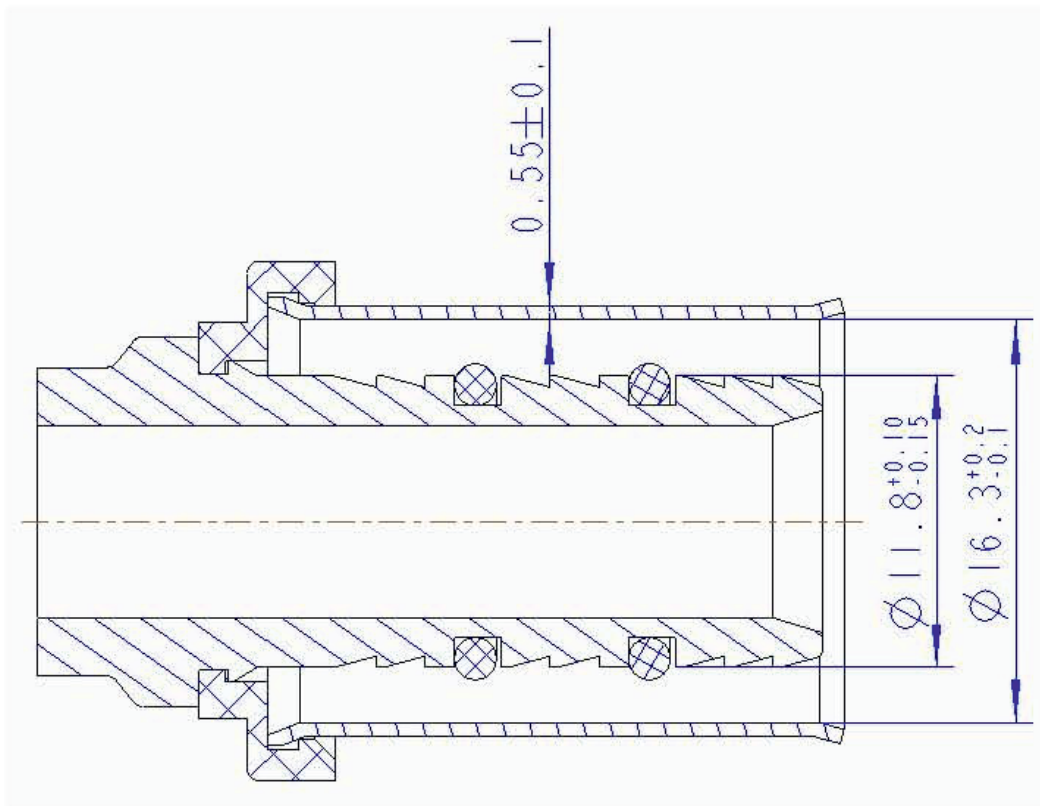
Outer Thread: R (ISO7-1)

Inner Thread: G (ISO228-1)

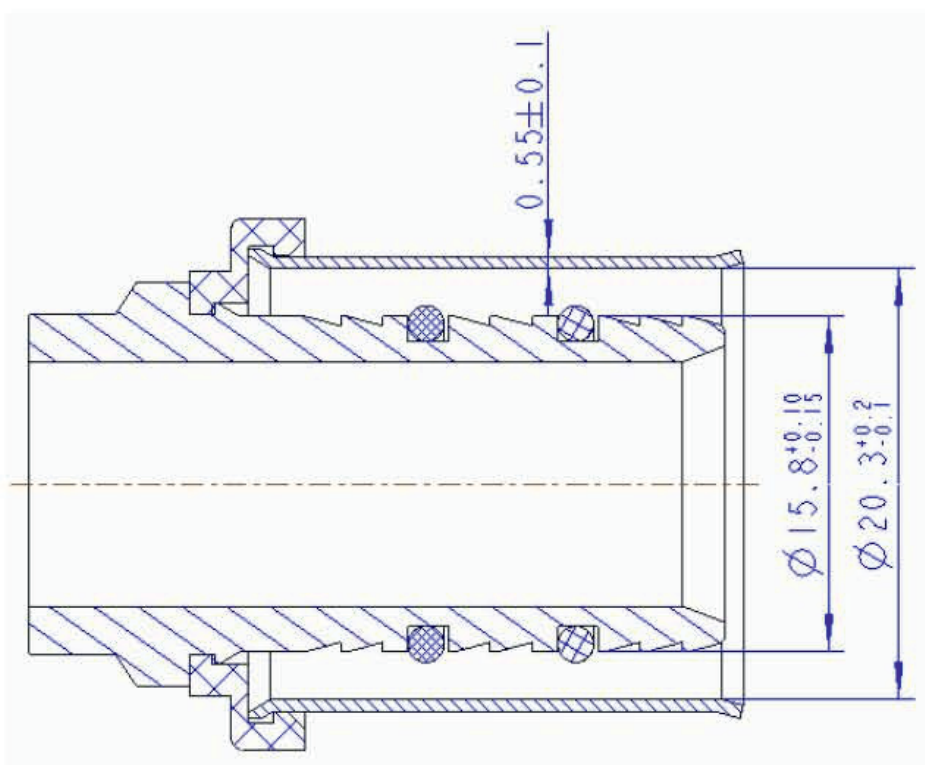
8. Guarantee period: 10 years

9. Dimensions and tolerances of fittings/
Technical Drawings with dimensions and tolerances.

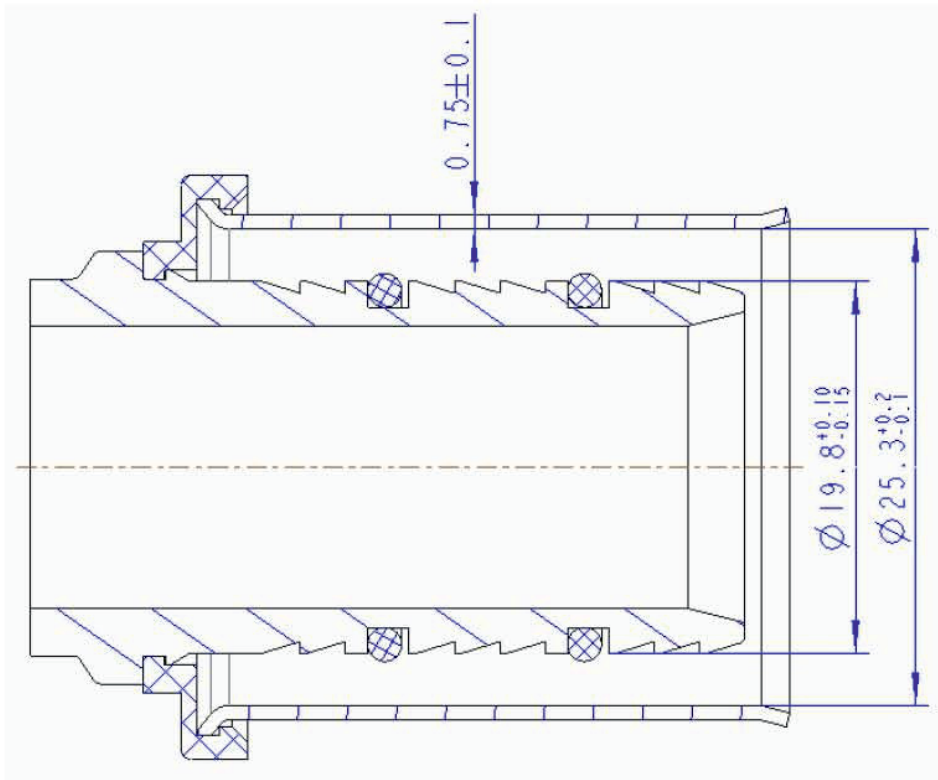
A. 16 mm



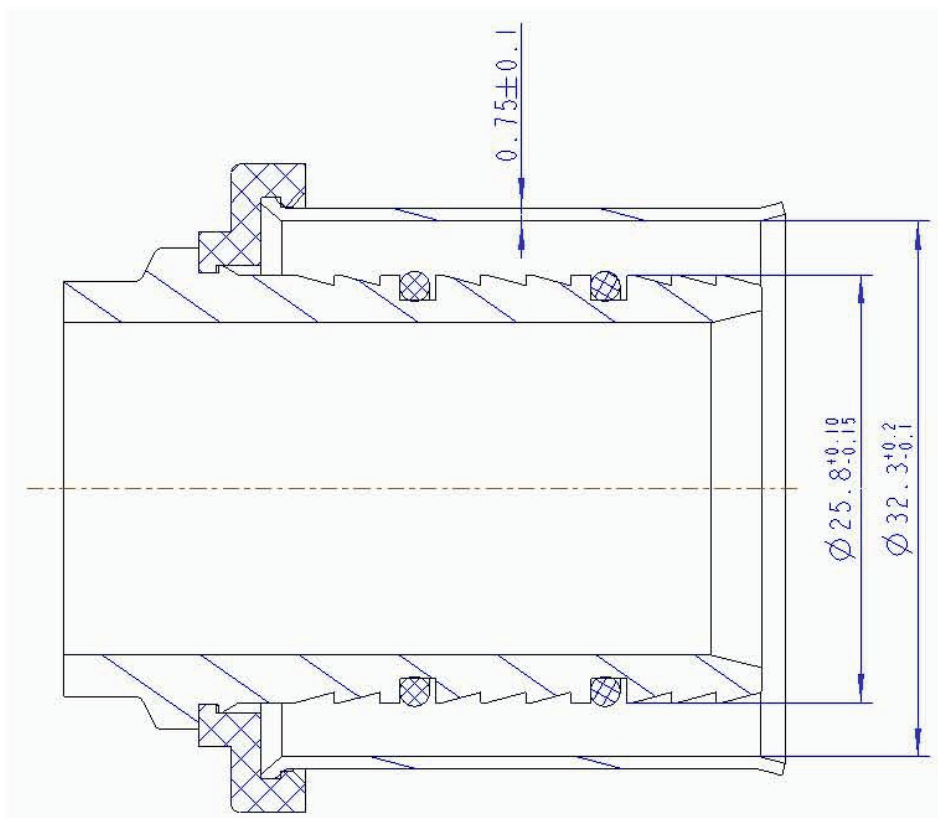
B. 20 mm



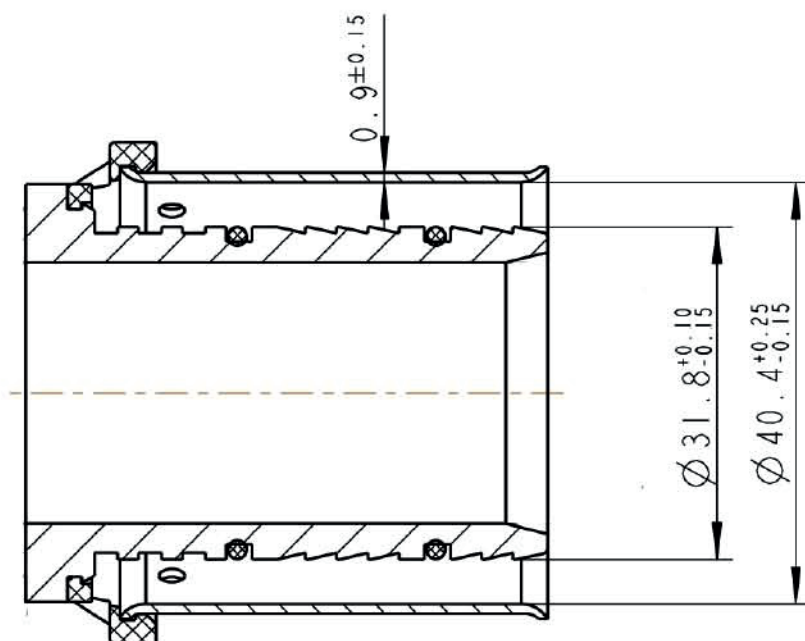
C. 25 mm



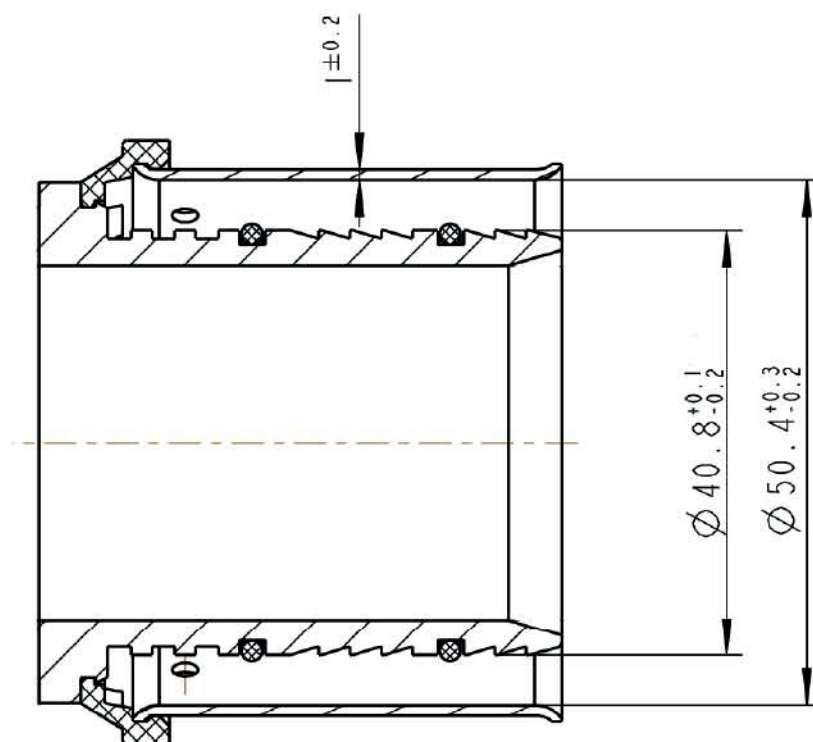
D. 32 mm



E. 40 mm



F. 50 mm



G. 63 mm

